
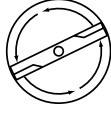


SERVICE 		3
		I0300003

IPL, LT14, 2003-01, 106 29 67-61

JLT14B

LT14

Spare parts

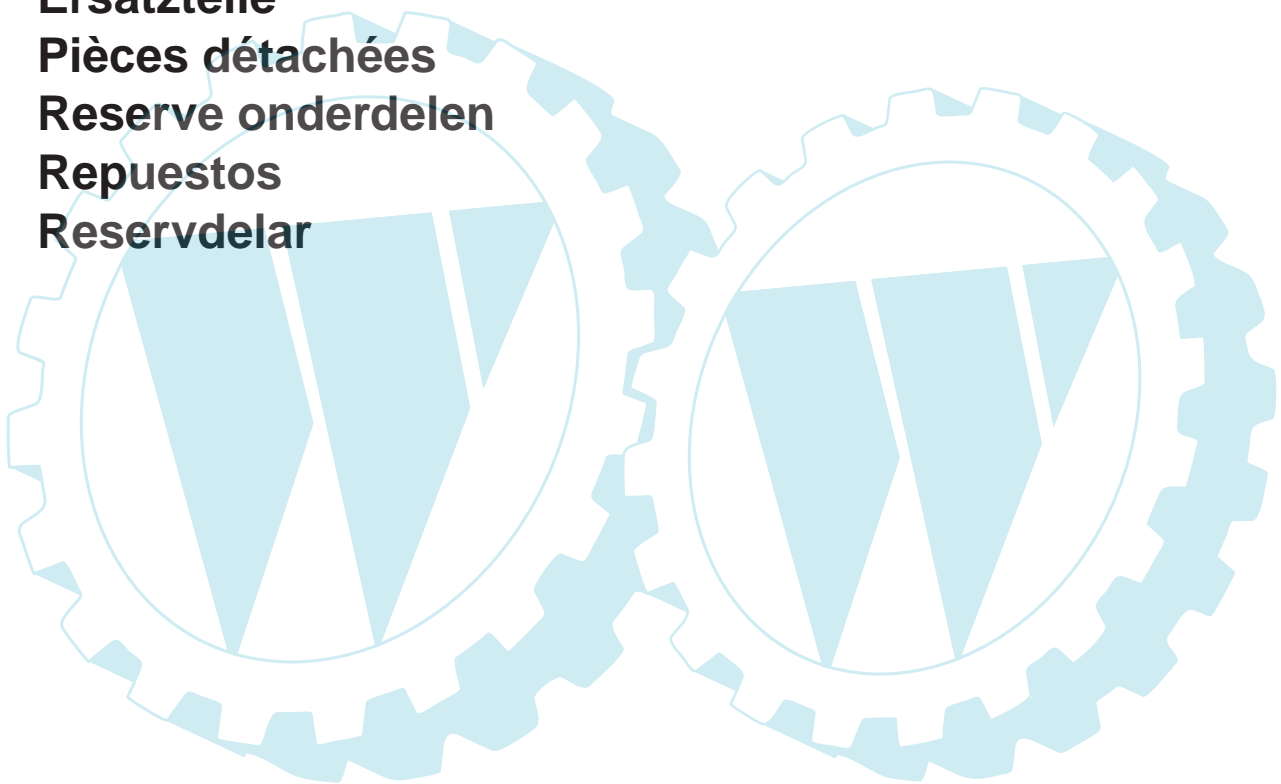
Ersatzteile

Pièces détachées

Reserve onderdelen

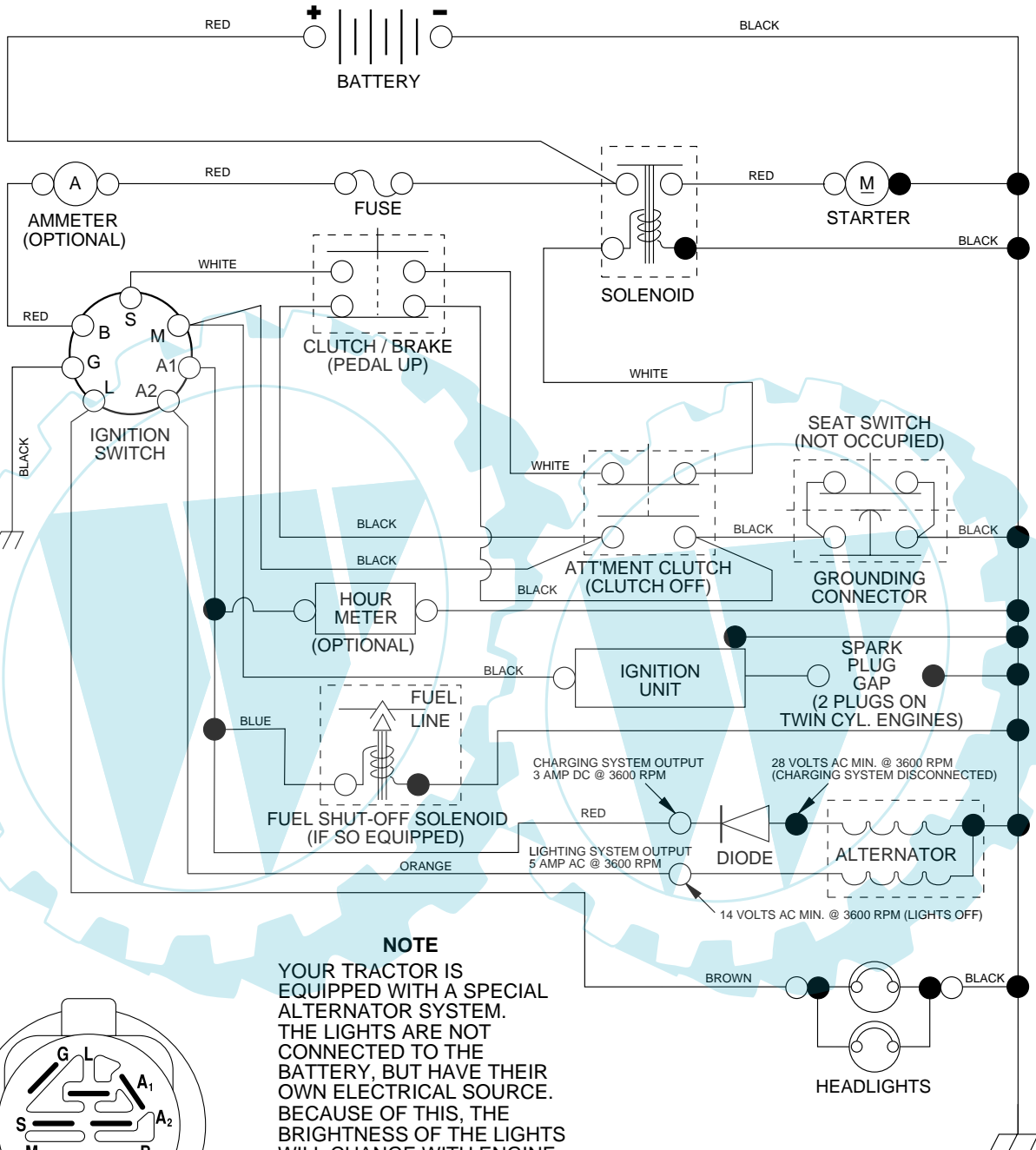
Repuestos

Reservdelar



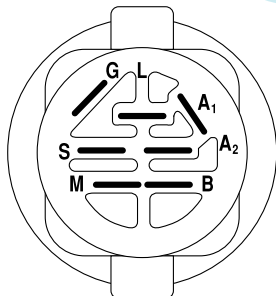
REPAIR PARTS

TRACTOR - MODEL NO. LT14 (JLT14B), PRODUCT NO. 954 13 00-58 SCHEMATIC



NOTE

YOUR TRACTOR IS EQUIPPED WITH A SPECIAL ALTERNATOR SYSTEM. THE LIGHTS ARE NOT CONNECTED TO THE BATTERY, BUT HAVE THEIR OWN ELECTRICAL SOURCE. BECAUSE OF THIS, THE BRIGHTNESS OF THE LIGHTS WILL CHANGE WITH ENGINE SPEED. AT IDLE THE LIGHTS WILL DIM. AS THE ENGINE IS SPEEDED UP, THE LIGHTS WILL BECOME THEIR BRIGHTEST.



IGNITION SWITCH

POSITION	CIRCUIT	"MAKE"
OFF	M+G+A1	NONE
RUN/LIGHT	B+A1	A2+L
RUN	B+A1	NONE
START	B + S + A1	NONE

WIRING INSULATED CLIPS

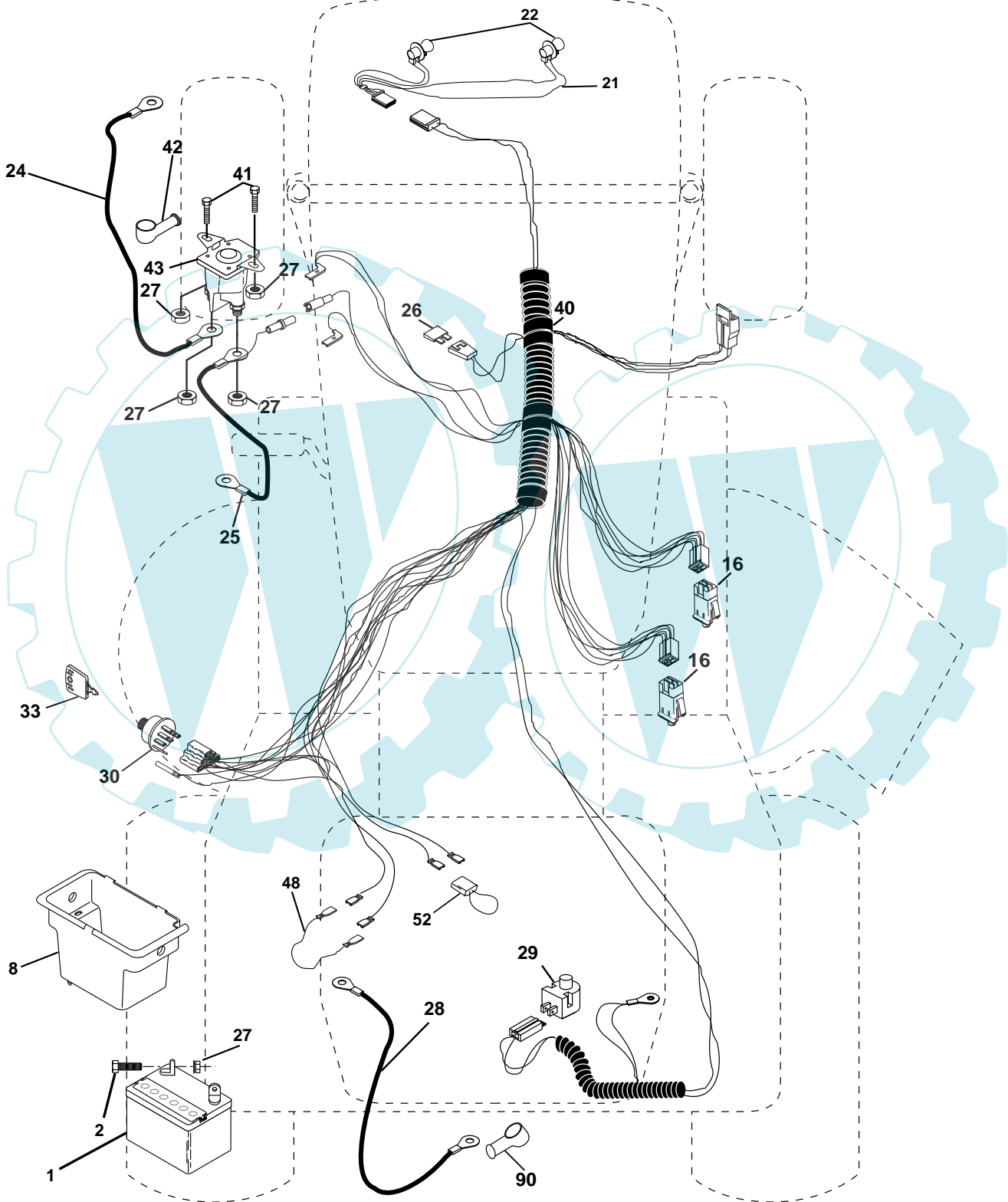
NOTE: IF WIRING INSULATED CLIPS WERE REMOVED FOR SERVICING OF UNIT, THEY SHOULD BE REPLACED TO PROPERLY SECURE YOUR WIRING.

NON-REMOVABLE CONNECTIONS

REMOVABLE CONNECTIONS

REPAIR PARTS

TRACTOR - MODEL NO. LT14 (JLT14B), PRODUCT NO. 954 13 00-58
ELECTRICAL



REPAIR PARTS

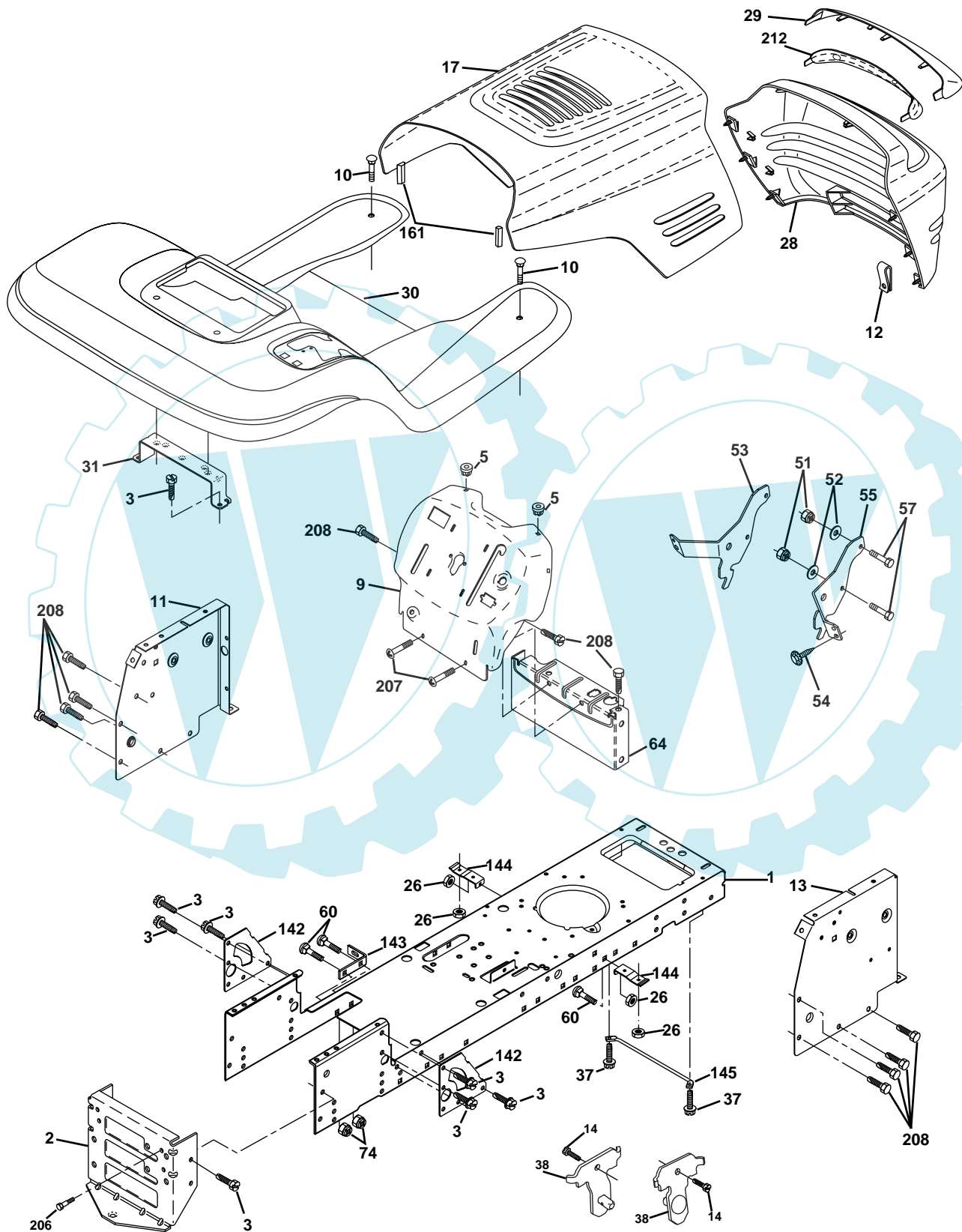
TRACTOR - MODEL NO. LT14 (JLT14B), PRODUCT NO. 954 13 00-58
ELECTRICAL

KEY NO.	PART NO.	DESCRIPTION
1	532 16 34-65	Battery 12 Volt 28 AMP
2	874 76 04-12	Bolt Hex Hd 1/4-20unc X 3/4
8	532 17 66-89	Box Battery Fender
16	532 17 61-38	Switch Interlock Push-In
21	532 17 56-88	Harness Asm Light W/4152j
22	532 00 41-52	Bulb Light #1156
24	532 12 47-80	Cable Battery 6 Ga 11" red
25	532 14 61-47	Cable Battery 6 Ga 44" red w/16 wire
26	532 17 51-58	Fuse 20 AMP
27	873 51 04-00	Nut Keps Hex 1/4-20 Unc
28	532 12 47-73	Cable Ground 6 Ga 12" black
29	532 12 13-05	Switch Plunger Nc Gray
30	532 17 55-66	Switch Ign
33	532 14 04-01	Key Ign
40	532 17 97-20	Harness Ign.
41	871 11 04-08	Bolt Blk Fin Hex 1/4 - 20 x 1/2
42	532 13 15-63	Cover Terminal Red
43	532 17 88-61	Solenoid
48	532 14 08-44	Adapter Ammeter
52	532 14 19-40	Protection Wire Loop
90	532 18 04-49	Cover Terminal Battery

NOTE: All component dimensions given in U.S. inches.
1 inch = 25.4 mm.

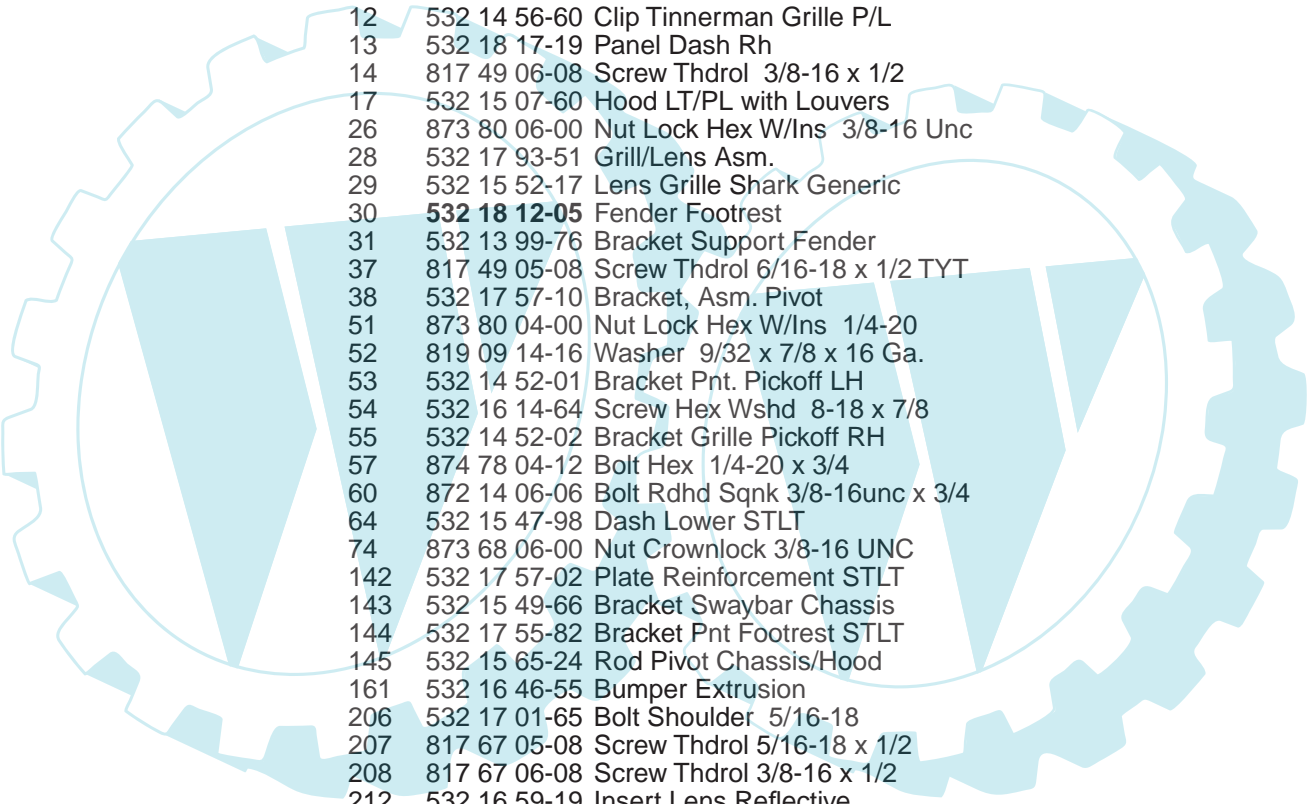
REPAIR PARTS

TRACTOR - MODEL NO. LT14 (JLT14B), PRODUCT NO. 954 13 00-58
CHASSIS AND ENCLOSURES



REPAIR PARTS

TRACTOR - MODEL NO. LT14 (JLT14B), PRODUCT NO. 954 13 00-58
CHASSIS AND ENCLOSURES



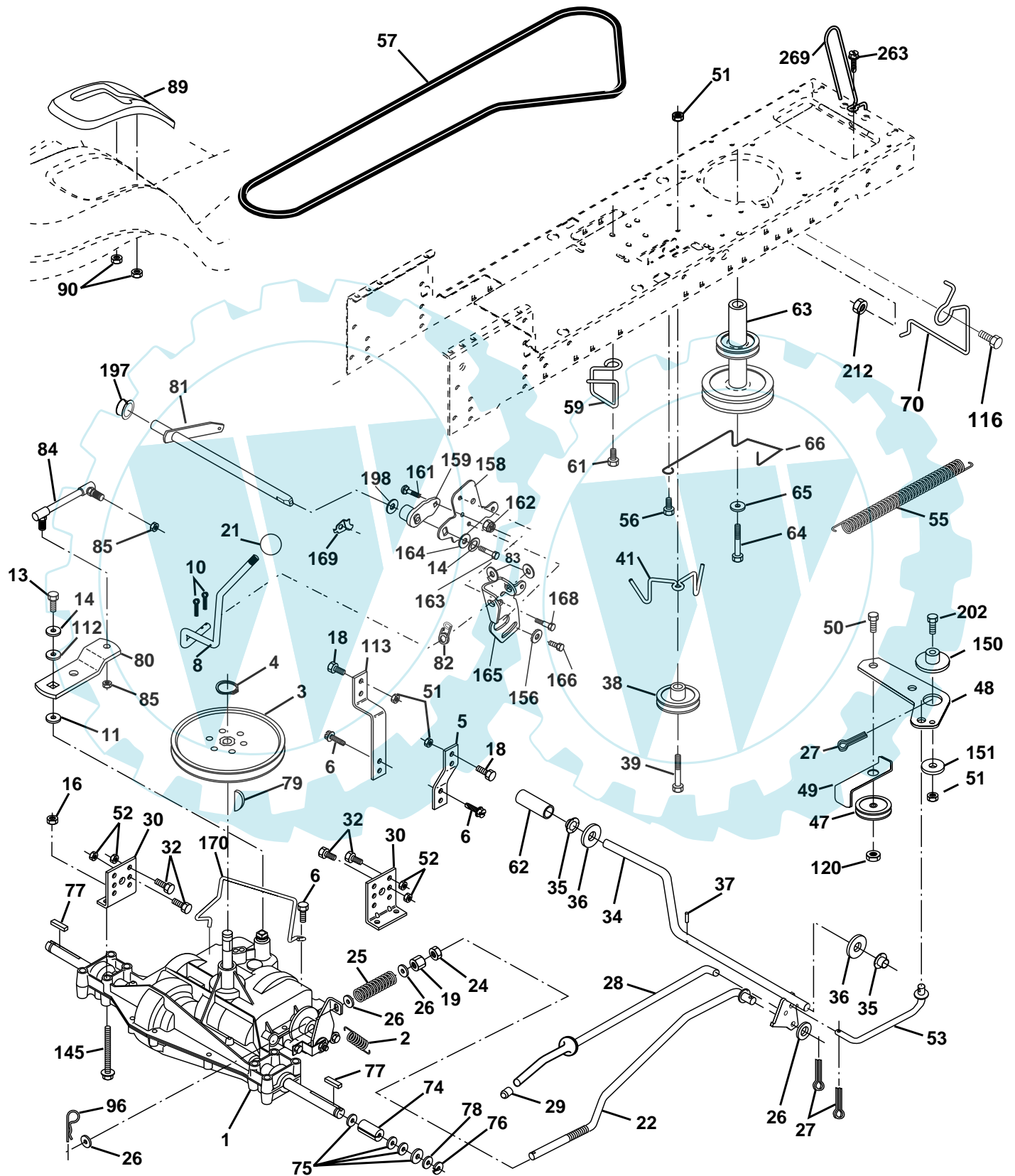
KEY NO.	PART NO.	DESCRIPTION
1	532 17 46-19	Chassis Weldment
2	532 17 65-54	Drawbar
3	817 06 06-12	Screw 3/8-16 x .75 SMGML
5	532 15 52-72	Bumper Hood/Dash
9	532 17 21-51	Dash P/L
10	872 14 06-08	Bolt Carriage 3/8-16 x 1
11	532 17 49-96	Panel Dash Lh
12	532 14 56-60	Clip Tinnerman Grille P/L
13	532 18 17-19	Panel Dash Rh
14	817 49 06-08	Screw Thdrol 3/8-16 x 1/2
17	532 15 07-60	Hood LT/PL with Louvers
26	873 80 06-00	Nut Lock Hex W/Ins 3/8-16 Unc
28	532 17 93-51	Grill/Lens Asm.
29	532 15 52-17	Lens Grille Shark Generic
30	532 18 12-05	Fender Footrest
31	532 13 99-76	Bracket Support Fender
37	817 49 05-08	Screw Thdrol 6/16-18 x 1/2 TYT
38	532 17 57-10	Bracket, Asm. Pivot
51	873 80 04-00	Nut Lock Hex W/Ins 1/4-20
52	819 09 14-16	Washer 9/32 x 7/8 x 16 Ga.
53	532 14 52-01	Bracket Pnt. Pickoff LH
54	532 16 14-64	Screw Hex Wshd 8-18 x 7/8
55	532 14 52-02	Bracket Grille Pickoff RH
57	874 78 04-12	Bolt Hex 1/4-20 x 3/4
60	872 14 06-06	Bolt Rdhd Sqnk 3/8-16unc x 3/4
64	532 15 47-98	Dash Lower STLT
74	873 68 06-00	Nut Crownlock 3/8-16 UNC
142	532 17 57-02	Plate Reinforcement STLT
143	532 15 49-66	Bracket Swaybar Chassis
144	532 17 55-82	Bracket Pnt Footrest STLT
145	532 15 65-24	Rod Pivot Chassis/Hood
161	532 16 46-55	Bumper Extrusion
206	532 17 01-65	Bolt Shoulder 5/16-18
207	817 67 05-08	Screw Thdrol 5/16-18 x 1/2
208	817 67 06-08	Screw Thdrol 3/8-16 x 1/2
212	532 16 59-19	Insert Lens Reflective
--	532 00 54-79	Plug Button

NOTE: All component dimensions given in U.S. inches
1 inch = 25.4 mm

REPAIR PARTS

TRACTOR - MODEL NO. LT14 (JLT14B), PRODUCT NO. 954 13 00-58

DRIVE



REPAIR PARTS

TRACTOR - MODEL NO. LT14 (JLT14B), PRODUCT NO. 954 13 00-58

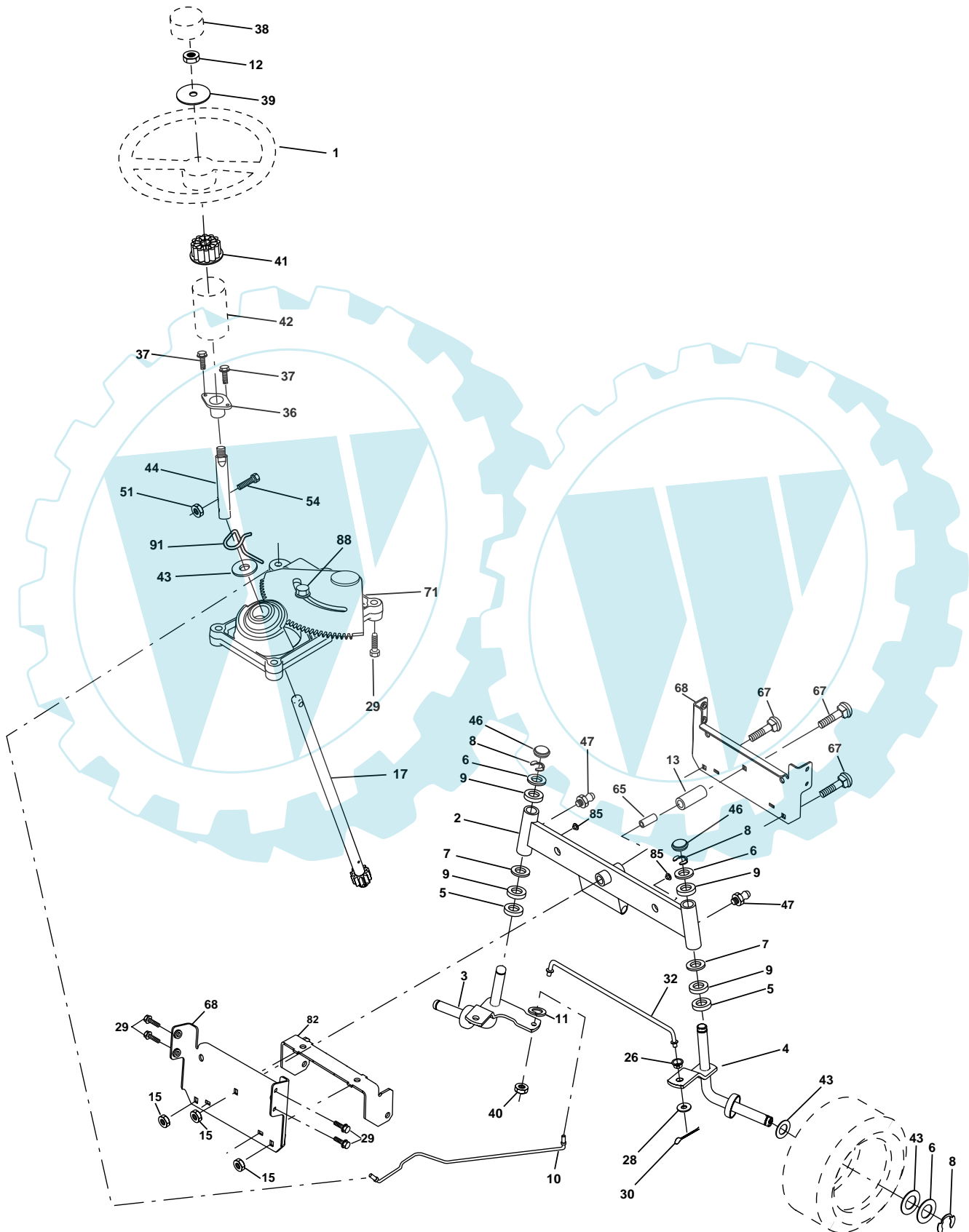
DRIVE

KEY NO.	PART NO.	DESCRIPTION	KEY NO.	PART NO.	DESCRIPTION
1	-----	Transaxle Peerless 206-545C Order parts from transaxle manufacturer	64	871 17 07-64	Bolt Hex
2	532 14 66-82	Spring Return Brake T/a Zinc	65	810 04 07-00	Washer Lock Hvy Hlcl Spr 7/16
3	532 12 36-66	Pulley Transaxle 18" tires	66	532 15 47-78	Keeper Belt Engine Foolproof
4	812 00 00-28	Ring Retainer # 5100-62	70	532 18 02-18	Guide Belt Mower Drive RH
5	532 12 15-20	Strap Torque 30 Degrees	74	532 13 70-57	Spacer Axle
6	817 06 05-12	Screw Thdrol 5/16-18	75	532 12 17-49	Washer 25/32 X 1 1/4 X 16 Ga
8	532 16 58-66	Rod Shift Fender Adjust Lt	76	812 00 00-01	E-ring #5133-75
10	876 02 04-16	Pin Cotter 1/8 X 1 Cad	77	532 12 35-83	Key Square 2 0 X 1845/ 1865
11	532 10 57-01	Washer Plate Shf 388 Sq Hole	78	532 12 17-48	Washer 25/32 X 1-5/8 X 16 Ga
13	874 55 04-12	Bolt 1/4-28 Unf Gr 8 W/Patch	79	532 12 50-96	Key Woodruff #9 3/16 x 3/4
14	810 04 04-00	Washer Lock Hvy Helical	80	532 13 14-86	Arm Shift
16	873 80 05-00	Nut Lock Hex w/Ins 5/16-18	81	532 16 55-94	Shaft Asm Cross 18"t
18	874 78 06-16	Bolt, Fin Hex 3/8-16 UNC x 1 Gr. 5	82	532 16 57-11	Spring Torsion T/a
19	873 80 06-00	Nut Lock 3/8-16 Unc	83	819 17 12-16	Washer 17/32 X 3/4 X 16 Ga
21	532 12 12-74	Knob	84	532 16 62-28	Link Transaxle
22	532 13 08-04	Rod Brake Blk Zinc 26 840	85	532 15 03-60	Nut Lock Center 1/4 - 28 FNTHD
24	873 35 06-00	Nut Hex Jam 3/8-16 Unc	89	532 16 65-56	Console Shift STLT
25	532 10 68-88	Spring Rod Brake 2 00 Zinc	90	532 12 43-46	Nut Self-thd Wsh-hd 1/4 Zinc
26	819 13 13-16	Washer 13/32 X 13/16 X 16 Ga	96	532 12 47-88	Retainer Spring 1"
27	876 02 04-12	Pin Cotter 1/8 X 3/4 Cad	112	819 09 12-10	Washer 9/32 x 3/4 x 10 Ga.
28	532 17 57-65	Rod Brake Parking LT/YT	113	532 12 72-85	Strap Torque LT
29	532 07 16-73	Cap Brake Parking Black	116	872 14 06-08	Bolt Rdhd Sq Neck 3/8-16 x 1.0
30	532 17 49-73	Bracket Mtg Transaxle	120	873 90 06-00	Nut Lock Flg. 3/8-16 Unc
32	874 76 05-12	Bolt Hex Hd 5/16-18unc X 3/4	145	874 49 05-40	Bolt Hex 5/16-18 Gr. 5
34	532 17 55-78	Shaft Asm Pedal Foot	150	532 17 54-56	Spacer
35	532 12 01-83	Bearing Nylon Blk 629 Id	151	819 13 32-10	Washer 13/32 x 2 x 10 Ga.
36	819 21 16-16	Washer 21/32 X 1 X 16 Ga	156	532 16 60-02	Washer Srrted 5/16ID x 1.125
37	532 12 49-63	Pin Roll 3/16 X 1"	158	532 16 55-89	Bracket Shift Mount
38	532 17 91-14	Pulley Idler Composite	159	532 16 54-94	Hub Tapered Flange Shift Lt
39	874 76 06-48	Bolt Fin Hex 3/8-16 Unc x 3	161	872 14 04-06	Bolt Rdhd Sqnk 1/4-20 x 3/4 Gr 5
41	532 17 55-56	Keeper Belt Idler Flat	162	873 68 04-00	Nut Crownlock 1/4-20 Unc
47	532 12 77-83	Pulley Idler V Groove Plastic	163	874 78 04-16	Bolt Hex Fin 1/4-20 Unc x 1 Gr 5
48	532 15 44-07	Bellcrank Clutch Grnd Driv	164	819 09 10-10	Washer 5/8 x .281 x 10 Ga
49	532 12 32-05	Retainer Belt Style Spring	165	532 16 56-23	Bracket Pivot Lever
50	872 11 06-12	Bolt 3/8-16 x 1-1/2 Gr. 5	166	532 16 68-80	Screw 5/16-18 x 5/8
51	873 68 06-00	Nut Crownlock 3/8-16 Unc	168	532 16 54-92	Bolt Shoulder 5/16-18 x .561
52	873 68 05-00	Nut Crownlock 5/16-18 Unc	169	532 16 55-80	Plate Fastening Lt
53	532 10 57-10	Link Clutch	170	532 17 83-94	Keeper, Belt T/A D/P
55	532 10 57-09	Spring Return Clutch 6 75	197	532 16 96-13	Nyliner Snap-In
56	817 12 06-14	Screw 3/8-16 x .875	198	532 16 95-93	Washer Nyl 7/8 ID x 105"
57	532 13 08-01	V-Belt Ground Drive 95 25	202	872 11 06-14	Bolt Carr. SH 3/8-16 x 1-3/4 Gr. 5
59	532 16 96-91	Keeper Belt Span Ctr	212	532 14 52-12	Nut, Hex Flange Lock
61	817 12 06-14	Screw 3/8-16 x .875	263	817 00 06-12	Screw 3/8-16 x 3/4
62	532 12 48-72	Cover Pedal Round	269	532 18 24-02	Guard Muffler RH
63	532 18 02-19	Engine Pulley			

NOTE: All component dimensions given in U.S. inches
1 inch = 25.4 mm

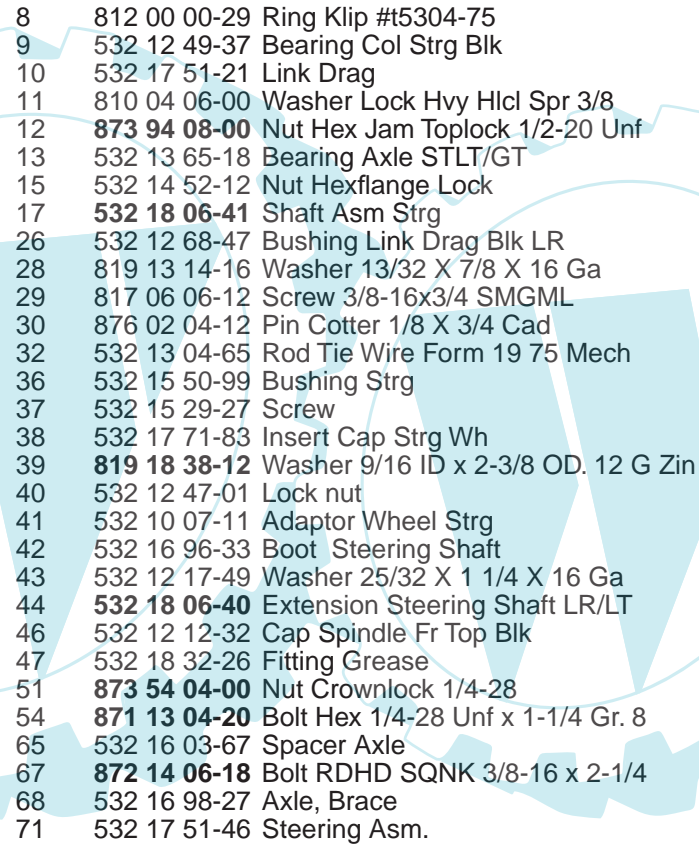
REPAIR PARTS

TRACTOR - MODEL NO. LT14 (JLT14B), PRODUCT NO. 954 13 00-58
STEERING ASSEMBLY



REPAIR PARTS

TRACTOR - MODEL NO. LT14 (JLT14B), PRODUCT NO. 954 13 00-58
STEERING ASSEMBLY

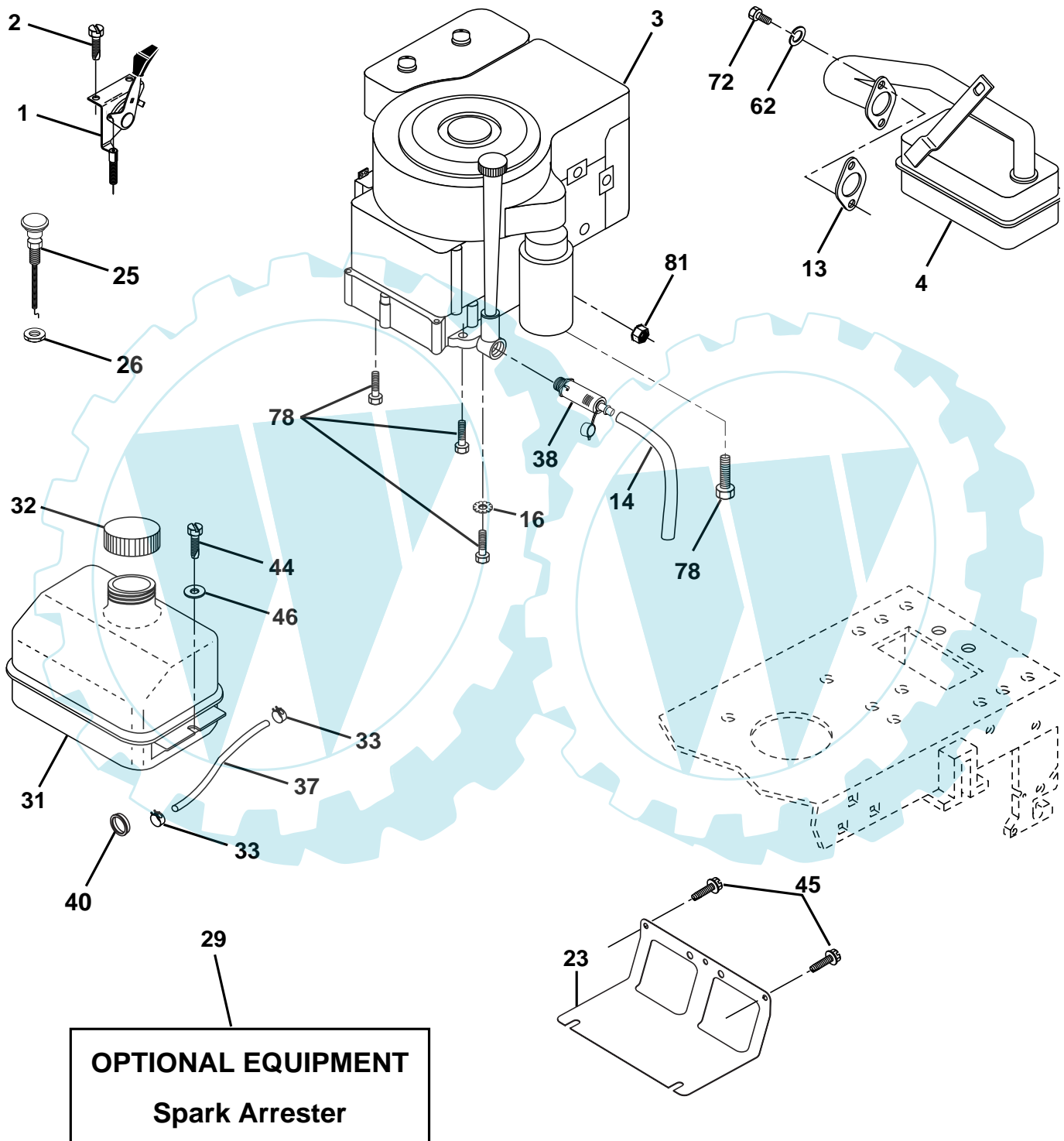


KEY NO.	PART NO.	DESCRIPTION
1	532 17 71-82	Wheel Steering
2	532 17 51-31	Axle Asm
3	532 16 98-40	Spindle Asm LH
4	532 16 98-39	Spindle Asm RH
5	532 12 49-31	Bearing Race Thrust Harden
6	532 12 17-48	Washer 25/32 X 1-5/8 X 16 Ga
7	819 27 20-16	Washer 27/32 X 1-1/4 X 16 Ga
8	812 00 00-29	Ring Klip #t5304-75
9	532 12 49-37	Bearing Col Strg Blk
10	532 17 51-21	Link Drag
11	810 04 06-00	Washer Lock Hvy Hlcl Spr 3/8
12	873 94 08-00	Nut Hex Jam Toplock 1/2-20 Unf
13	532 13 65-18	Bearing Axle STLT/GT
15	532 14 52-12	Nut Hexflange Lock
17	532 18 06-41	Shaft Asm Strg
26	532 12 68-47	Bushing Link Drag Blk LR
28	819 13 14-16	Washer 13/32 X 7/8 X 16 Ga
29	817 06 06-12	Screw 3/8-16x3/4 SMGML
30	876 02 04-12	Pin Cotter 1/8 X 3/4 Cad
32	532 13 04-65	Rod Tie Wire Form 19 75 Mech
36	532 15 50-99	Bushing Strg
37	532 15 29-27	Screw
38	532 17 71-83	Insert Cap Strg Wh
39	819 18 38-12	Washer 9/16 ID x 2-3/8 OD. 12 G Zin
40	532 12 47-01	Lock nut
41	532 10 07-11	Adaptor Wheel Strg
42	532 16 96-33	Boot Steering Shaft
43	532 12 17-49	Washer 25/32 X 1 1/4 X 16 Ga
44	532 18 06-40	Extension Steering Shaft LR/LT
46	532 12 12-32	Cap Spindle Fr Top Blk
47	532 18 32-26	Fitting Grease
51	873 54 04-00	Nut Crownlock 1/4-28
54	871 13 04-20	Bolt Hex 1/4-28 Unf x 1-1/4 Gr. 8
65	532 16 03-67	Spacer Axle
67	872 14 06-18	Bolt RDHD SQNK 3/8-16 x 2-1/4
68	532 16 98-27	Axle, Brace
71	532 17 51-46	Steering Asm.
82	532 16 98-35	Bracket Susp Chassis Front
85	532 13 38-35	Fastner Christmas Tree
88	532 17 51-18	Bolt Shoulder 7/16-20 Unc
91	532 17 55-53	Clip Steering

NOTE: All component dimensions given in U.S. inches.
1 inch = 25.4 mm.

REPAIR PARTS

TRACTOR - MODEL NO. LT14 (JLT14B), PRODUCT NO. 954 13 00-58
ENGINE



REPAIR PARTS

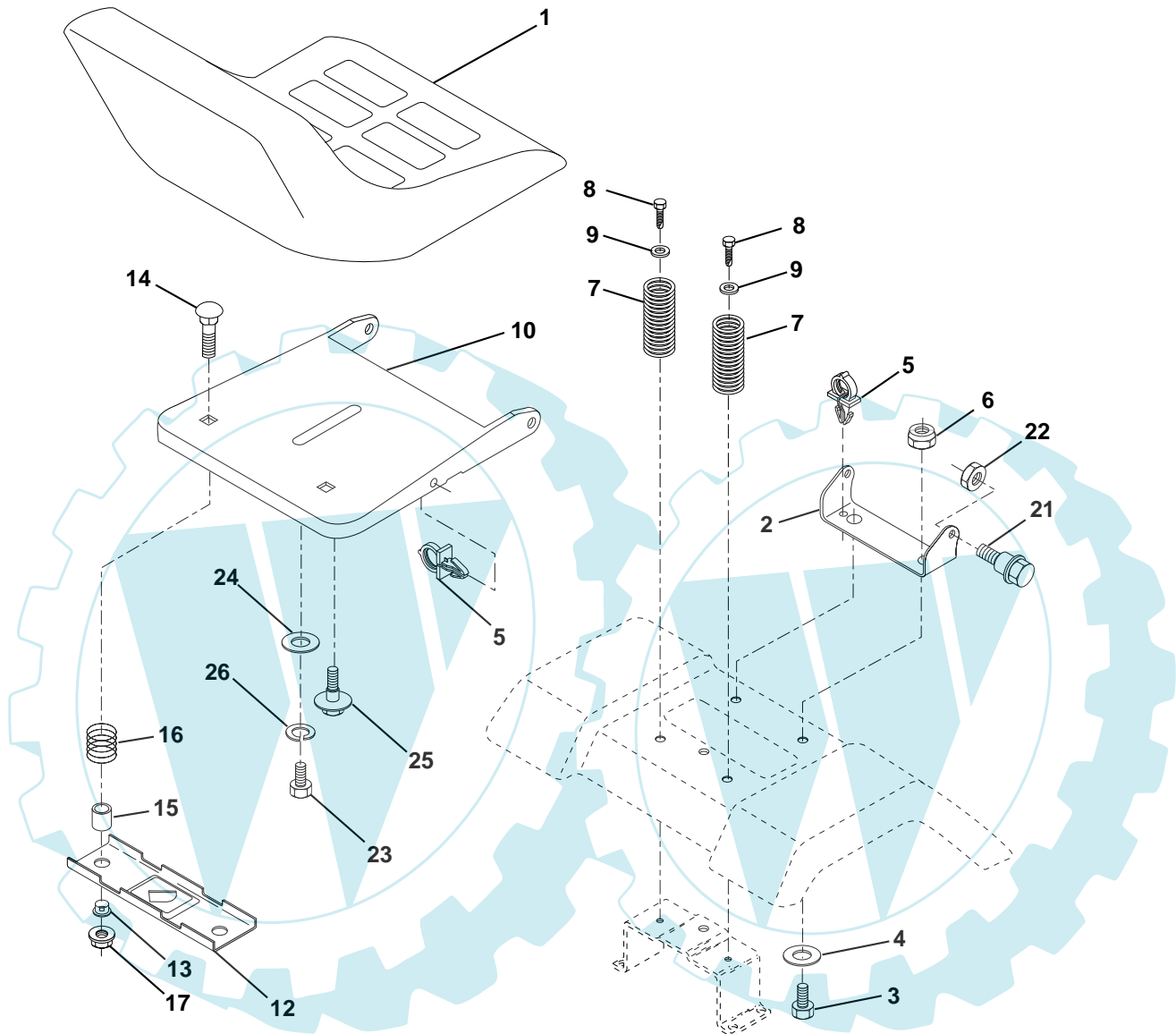
TRACTOR - MODEL NO. LT14 (JLT14B), PRODUCT NO. 954 13 00-58
ENGINE

KEY NO.	PART NO.	DESCRIPTION
1	532 17 05-51	Control Th/ch LH Flag
2	817 72 04-08	Screw Hex Thd Cut 1/4-20 x 1/2
3	-----	Engine B&S Model No. 31G777 (Order parts from engine manufacturer)
4	532 13 73-52	Muffler
13	532 16 52-91	Gasket
14	532 14 84-56	Tube Drain Oil Easy
16	811 05 06-00	Washer Lock Ext Tooth 3/8
23	532 16 98-37	Shield Brn/Dbr Guard
25	532 18 09-45	Control Choke
26	873 92 06-00	Nut Keps 3/8-24
29	532 13 71-80	Kit Spark Arrestor (Flat Scrn)
31	532 10 92-02	Tank Fuel Front
32	532 14 05-27	Cap Asm Fuel W/sym Vented
33	532 12 34-87	Clamp Hose Black
37	532 13 70-40	Line Fuel 20"
38	532 18 16-54	Plug Drain Oil Easy
40	532 12 40-28	Bushing Snap Nyl Blk Fuel Line
44	817 67 04-12	Screw Hexwsh Thdrol 1/4-20x3/4
45	817 00 06-12	Screw 3/8-16 x 3/4
46	819 09 14-16	Washer 9/32 X 7/8 X 16 Ga
62	810 04 05-00	Washer Lock Hvy Hlcl Spr 5/16
72	871 07 05-12	Screw Hexhd Cap 5/16-18 x 3/4
78	817 06 06-20	Screw 3/8-16 x 1-1/4 SMGML
81	873 51 04-00	Nut Keps Hex 1/4-20

NOTE: All component dimensions given in U.S. inches
1 inch = 25.4 mm

REPAIR PARTS

TRACTOR - MODEL NO. LT14 (JLT14B), PRODUCT NO. 954 13 00-58
SEAT ASSEMBLY



KEY NO.	PART NO.	DESCRIPTION
1	532 14 01-16	Seat
2	532 14 05-51	Bracket Pivot Seat 8 720
3	871 11 06-16	Bolt Fin Hex 3/8-16 Unc x 1
4	819 13 16-10	Washer 13/32 X 1 X 10 Ga
5	532 14 50-06	Clip Push-In
6	873 80 06-00	Nut Hex w/Ins. 3/8-16 Unc
7	532 12 41-81	Spring Seat Cprsn 2 250 Blk Zi
8	817 00 06-16	Screw 3/8-16 x 1.5 SMGML
9	819 13 16-14	Washer 13/32 X 1 X 14 Ga.
10	532 18 24-93	Pan Seat
12	532 12 12-46	Bracket Mounting Switch
13	532 12 12-48	Bushing Snap Blk Nyl 50 Id

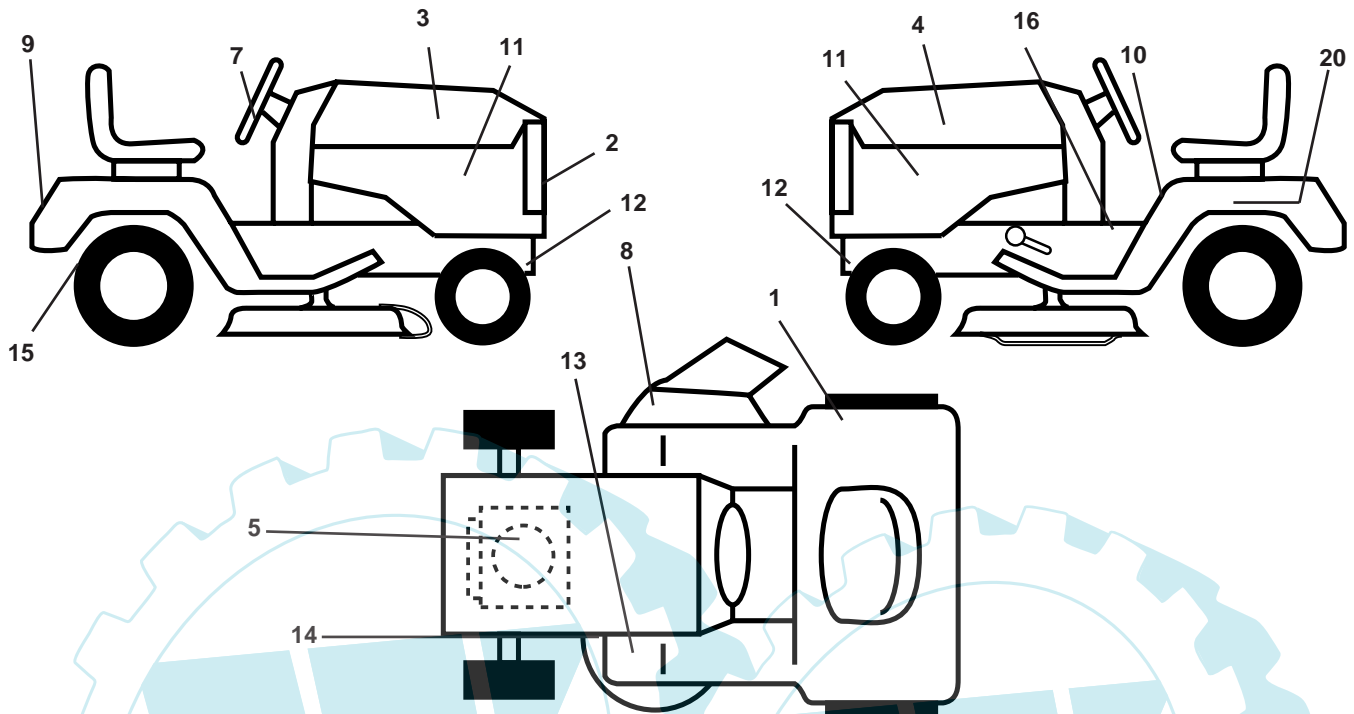
KEY NO.	PART NO.	DESCRIPTION
14	872 05 04-12	Bolt Rdhd Sqnk 1/4-20x1-1/2
15	532 13 43-00	Spacer Split 28x96 Yel Zinc
16	532 12 12-50	Spring Cprsn 1.27 Blk Pnt
17	532 12 39-76	Nut Lock 1/4 Lge Flg Gr 5 Zinc
21	532 17 18-52	Bolt SHLD 5/16-18 Unc-2A
22	873 80 05-00	Nut Hex Lock W/Ins 5/16-18
23	871 11 08-14	Bolt Hex
24	819 17 19-12	Washer 17/32 X 1-3/16 X 12 Ga.
25	532 12 70-18	Bolt Shoulder 5/16-18 X 62
26	810 04 08-00	Washer Lock Hvy HLCL Spr. 1/2

NOTE: All component dimensions given in U.S. inches.
1 inch = 25.4 mm

REPAIR PARTS

TRACTOR - MODEL NO. LT14 (JLT14B), PRODUCT NO. 954 13 00-58

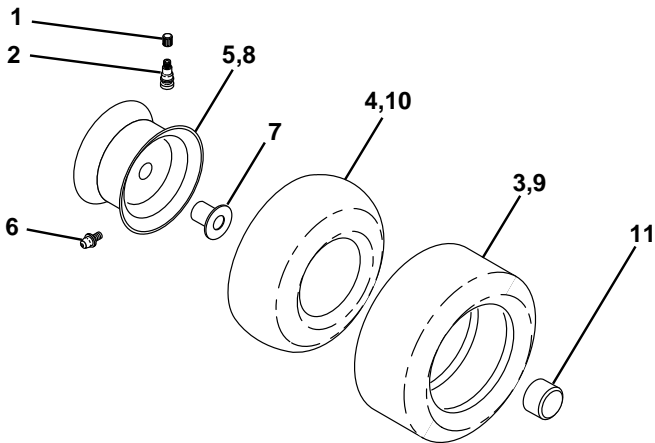
DECALS



KEY NO.	PART NO.	DESCRIPTION
1	532 18 04-32	Decal 100 DB/CE
2	532 15 22-62	Decal Grille
3	532 18 11-84	Decal Hood RH
4	532 18 11-85	Decal Hood LH
5	532 18 04-31	Decal HP Engine
7	532 17 58-84	Decal, Ins. Strg Whl.
8	532 18 21-66	Decal Mower Cutfinger
9	532 14 17-61	Decal Fender Jonsered
10	532 14 54-98	Decal Read Owner's Manual Syms.
11	532 16 29-27	Decal Hood Insert B&S White
12	532 15 97-36	Decal Chassis Hot Muffler

KEY NO.	PART NO.	DESCRIPTION
13	532 15 97-37	Decal Brake/Clutch Symbol LT
14	532 13 68-32	Decal V-Belt Schematic
15	532 16 25-98	Decal Drawbar Load Limit
16	532 14 08-37	Decal Saddle Brake Parking
20	532 14 50-05	Decal Bat Dan/Psn
--	532 17 12-84	Pad Footrest LH STLT
--	532 17 12-85	Pad Footrest RH STLT
--	532 13 83-11	Decal Handle Lift Height Adjust
--	532 18 30-00	Manual Operator's (Euro.)
--	532 18 30-01	Manual Operator's (Scan.)

WHEELS & TIRES

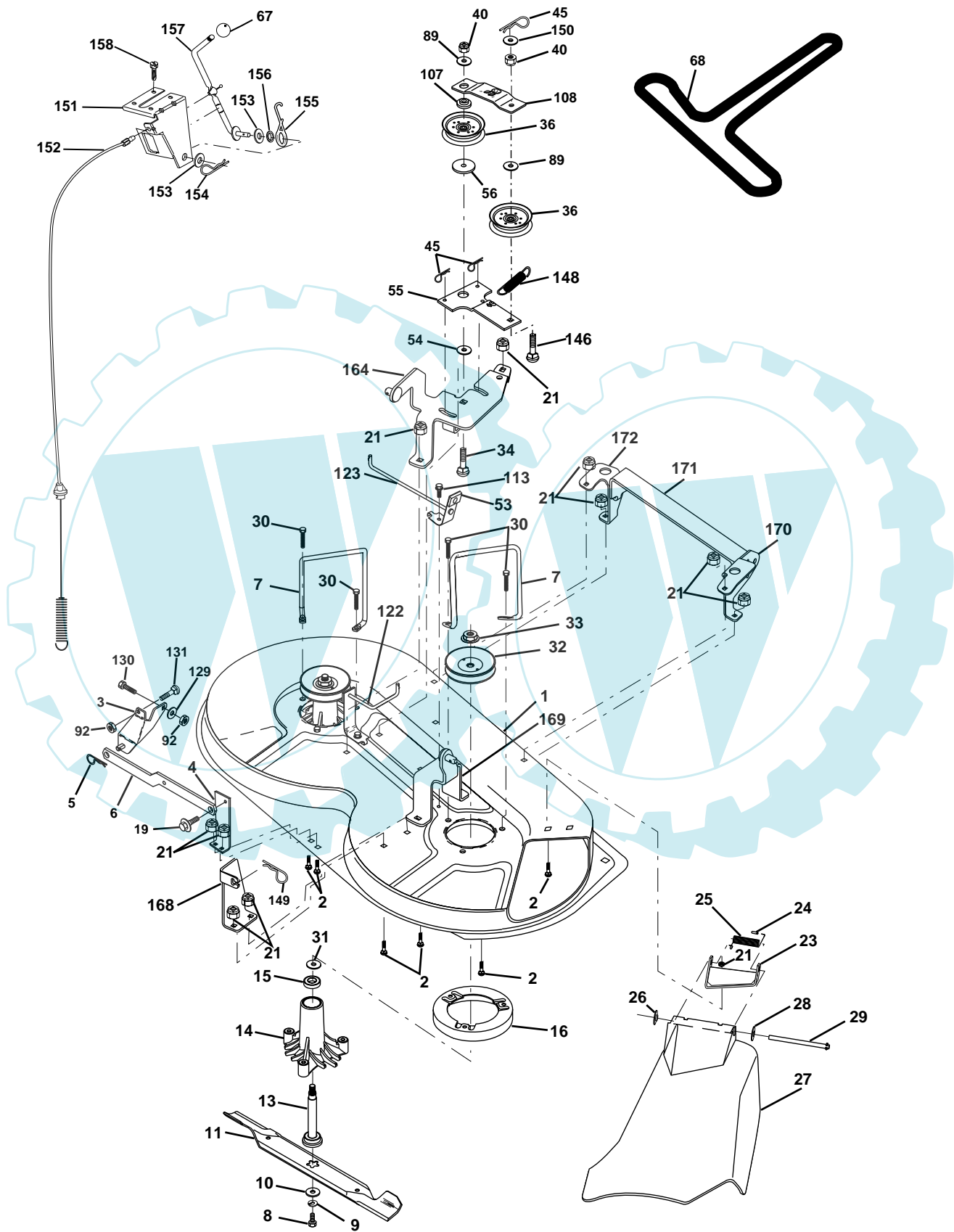


KEY NO.	PART NO.	DESCRIPTION
1	532 05 91-92	Cap Valve Tire
2	532 06 51-39	Stem Valve
3	532 10 62-22	Tire F Ts 15 X 6 0 - 6 Service
4	532 05 99-04	Tube Front (Service Item Only)
5	532 13 83-36	Rim Asm 6"front Silver Service
6	532 12 49-57	Fitting Grease (Front Wheel Only)
7	532 12 49-59	Bearing Flange (Front Wheel Only)
8	532 13 83-37	Rim Asm 8"rear Silver Service
9	532 12 46-35	Tire R Ts 18x9 5-8 C Service
10	532 12 49-26	Tube Rear (Service Item Only)
11	532 17 50-39	Cap Axle Blk 1 50 X 1 00
--	532 14 43-34	Sealant, Tire (10 oz. Tube)

NOTE: All component dimensions given in U.S. inches
1 inch = 25.4 mm

REPAIR PARTS

TRACTOR - MODEL NO. LT14 (JLT14B), PRODUCT NO. 954 13 00-58
MOWER DECK



REPAIR PARTS

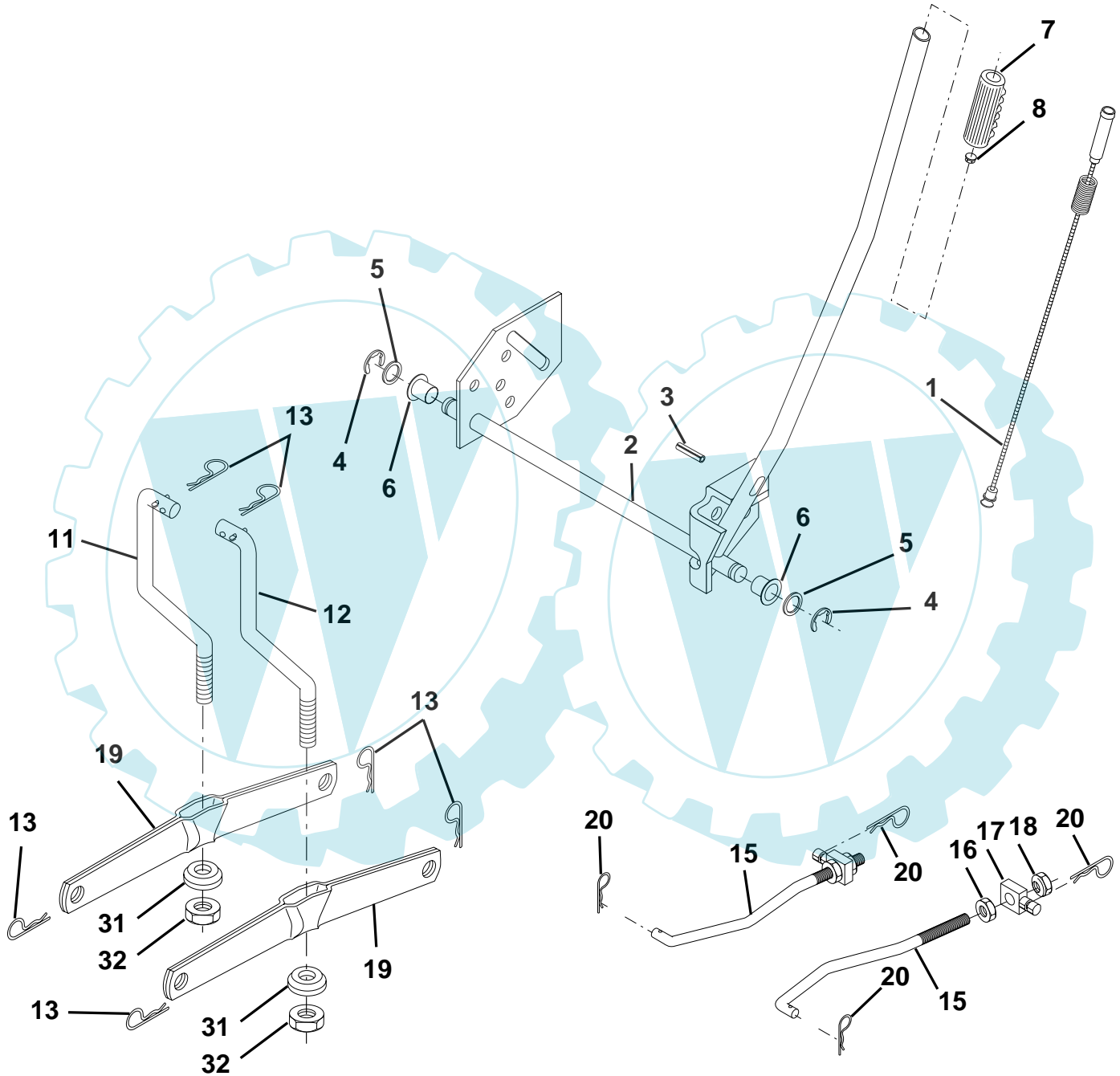
TRACTOR - MODEL NO. LT14 (JLT14B), PRODUCT NO. 954 13 00-58
MOWER DECK

KEY NO.	PART NO.	DESCRIPTION	KEY NO.	PART NO.	DESCRIPTION
1	532 17 45-95	Mower Deck Assembly	68	532 18 02-13	Belt
2	872 14 05-06	Bolt	89	819 13 16-12	Washer 13/32 x 1 x 12 Ga
3	532 13 80-17	Bracket Assembly,Sway Bar	92	873 80 06-00	Nut Lock Hex w/Ins. 3/8-16
4	532 17 56-54	Bracket Sway Bar	107	532 13 35-02	Spacer, Retainer
5	532 12 46-70	Retainer Spring	108	532 13 35-03	Stiffener, Idler Arm
6	532 17 80-24	Sway Bar	113	817 49 05-08	Screw Thdrol 5/16-18 x 1/2
7	532 14 06-08	Keeper Belt	122	532 17 45-05	Rod, Brake, LH
8	532 85 08-57	Bolt, Hex 3/8-24 x 1.25 Gr. 8	123	532 17 45-04	Rod, Brake, RH
9	810 03 06-00	Washer, Lock Hvy Hlcl 3/8	129	819 13 13-12	Washer 13/32 x 13/16 x 12 Ga.
10	532 14 02-96	Washer, Hardened	130	874 78 06-16	Bolt Fin Hex 3/8-16 x 1 Grd. 5
11	532 13 84-96	Blade, Mower	131	872 14 06-08	Bolt Rdhd Sqnk 3/8-16 x 1
13	532 13 76-45	Shaft Assembly, Mandrel	146	532 16 58-91	Bolt Carriage Idler
14	532 12 87-74	Housing, Mandrel, Vented	148	532 16 90-22	Spring Return Idler
15	532 11 04-85	Bearing, Ball, Mandrel	149	532 16 58-98	Retainer Spring Yellow Zinc
16	532 17 44-93	Stripper, Mower Deck	150	819 09 12-16	Washer 9/32 x 3/4 x 16 Ga.
19	532 13 28-27	Bolt, Shoulder	151	532 16 96-70	Bracket Clutch
21	873 68 05-00	Nut Crownlock 5/16-18	152	532 17 60-79	Cable Clutch
23	532 13 66-31	Bracket, Mower Deflector	153	532 16 96-74	Washer Flat 3/8" Type B
24	532 10 53-04	Cap, Sleeve	154	532 16 96-75	Spring Retainer
25	532 12 37-13	Spring, Torsion, Deflector	155	532 16 96-71	Spring Retention Lever
26	532 11 04-52	Nut, Push	156	532 16 96-72	Spacer
27	532 17 61-62	Shield, Deflector	157	532 16 96-69	Rod Clutch
28	819 11 10-16	Washer 11/32 x 5/8 x 16 Ga.	158	817 72 04-08	Screw Thd Cut 1/4-20 x 1/2 TY23
29	532 12 19-80	Rod, Hinge	164	532 17 49-76	Bracket Asm Idler Support
30	532 17 39-84	Screw Thdrol	168	532 17 23-77	Bracket Deck Cable
31	532 12 99-63	Washer, Spacer	169	532 17 49-77	Bracket Asm Suspension
32	532 15 35-31	Pulley, Mandrel	170	532 17 23-59	Bracket Suspension RF
33	532 17 83-42	Nut, Toplock, Flanged	171	532 16 52-37	Brace Support Susp. Frt
34	872 11 06-14	Bolt Rdhd 3/8-16 x 1-3/4	172	532 17 23-55	Bracket Suspension LF
36	532 13 14-94	Pulley, Idler, Flat	--	532 13 07-94	Mandrel Assembly (Includes Housing, Shaft and Shaft Hardware Only - Pulley Not Included)
40	873 68 06-00	Nut Crownlock 3/8-16	--	532 18 13-76	Replacement Mower, Complete
45	532 12 47-88	Retainer, Spring			
53	532 13 08-40	Brake Assembly			
54	532 17 85-15	Washer, Hardened			
55	532 13 38-40	Idler Arm Assembly			
56	532 16 57-23	Spacer, Retainer			
67	532 10 69-32	Knob RD 3/8-16 Plstc Thd			

NOTE: All component dimensions given in U.S. inches
1 inch = 25.4 mm

REPAIR PARTS

TRACTOR - MODEL NO. LT14 (JLT14B), PRODUCT NO. 954 13 00-58
MOWER LIFT



REPAIR PARTS

TRACTOR - MODEL NO. LT14 (JLT14B), PRODUCT NO. 954 13 00-58
MOWER LIFT

KEY NO.	PART NO.	DESCRIPTION
1	532 15 94-60	Washer Asm Inner Spring W/Plunger
2	532 15 94-71	Shaft Asm. Lift
3	532 10 57-67	Pin Groove
4	812 00 00-02	E Ring #5133-62
5	819 21 16-21	Washer 21/32 x 1 x 21 Ga
6	532 12 01-83	Bearing Nylon
7	532 10 94-13	Grip Handle
8	532 12 23-65	Button Plunger
11	532 13 98-65	Link Lift LH
12	532 13 98-66	Link Lift RH
13	532 12 46-70	Retainer Spring
15	532 17 32-88	Link Front
16	873 35 08-00	Nut Jam Hex 1/2-13 Unc
17	532 17 56-89	Trunnion
18	873 80 08-00	Nut Lock W/Wsh 1/2-13 Unc
19	532 13 98-68	Arm Suspension Mower
20	532 16 35-52	Retainer Spring
31	532 16 98-65	Bearing Pvt. Lift
32	873 54 06-00	Nut Crownlock 3/8-24

NOTE: All component dimensions given in U.S. inches
1 inch = 25.4 mm